

Burns and Ferrall Locations

AUCKLAND
12 Reg Savory Place
East Tamaki, Auckland

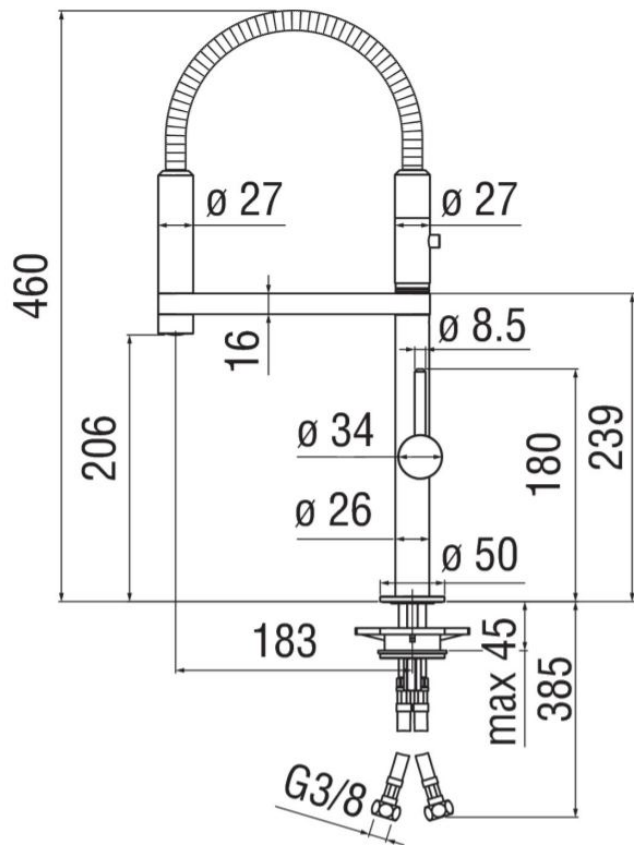
0800 697 465

WELLINGTON
122-124 Tory Street
Te Aro

HAMILTON
60 Alexandra Street
Central

CHRISTCHURCH
345 St Asaph Street
Christchurch

**Product Specification Sheet
MV92300CR**



Move
360° Swivel Spout & Flexi 2-Jet Shower
Head with Magnetic Support

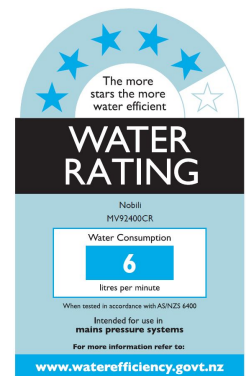
Models
MV92300CR *Chrome*

WELS Rating
6 L/min

Overall Dimensions D x H
255 x 460mm

Tap Hole
35mm

Recommended Pressure Rating
100-500kPa (1-5 Bar)
Mains Pressure Only



E&OE – it is recommended all measurements are taken directly from the product. Specification subject to change without notice, always consult the literature supplied with the product. Coloured images are indicative only.